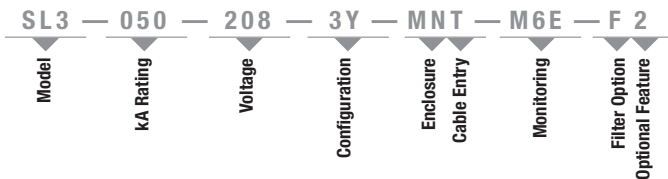




**MODEL NUMBER SCHEME (SL3™)**

E.g.: SL3-050-208-3Y-MNT-M6E-F2 (as shown in above photo)



**kA Rating (Must Choose One)**

Available SL3™ kA Ratings:  
050, 080, 100, 125, 150, 200,  
250, 300

**Voltage\* (Must Choose One)**

208 120/208  
240 120/240  
380 220/380  
480 277/480

**Configuration\* (Must Choose One)**

1G 1-Phase, Grounded  
2G 2-Phase, Grounded, Split-Phase  
3Y 3-Phase, Grounded, Wye  
3R 3-Phase, Grounded, High-Resistance  
3H 3-Phase, Grounded, High-Leg Delta  
3D 3-Phase, Grounded, Delta

**Enclosure (Must Choose One)**

MN Metal Without Disconnect  
SN Stainless Steel Without Disconnect

**Cable Entry (Must Choose One)**

T Top Feed  
B Bottom Feed

**Monitoring (Must Choose One)**

M0 No local monitoring  
(see remote MxX stand-alone option)  
M1 LED/Phase + Audible Alarm,  
Dry Relay Contacts  
M2 M1 + Surge Counter  
M3 Advanced Monitoring,  
Character Display, Modbus RTU  
M4E M3 + Ethernet, Modbus TCP  
M5 Advanced Monitoring,  
Graphics Display, Modbus RTU  
M6E M5 + Ethernet, Modbus TCP

**Filter (Must Choose One)**

F Filter  
N No Filter

**Optional Feature (May Choose One)**

2 Test Port

**Stand-Alone Options**

(To Be Ordered As Separate Items)  
DTS DTS-2 Diagnostic Test Set  
MxX Remote Monitor Extension  
M1X through M6EX  
HPI HPI Cable



\*See table on back for more Voltage/Configuration Options.

Select® SL3™ suppression filter systems feature selenium-enhanced surge protection along with a powerful failure-free ISM™ (Integrated Suppression Module). The ISM™ contains individual thermally fused and protected MOVs, surge-rated copper busing, robust filtering and advanced remote communications capabilities. Additionally, the SL3's selenium-enhanced seamless technology design ensures maximum performance and a dramatically extended product life.

**PRODUCT SPECIFICATIONS**

**General Specifications**

Maximum Surge Current Rating	50kA Per Mode, 100kA Per Phase
Nominal Discharge Surge Current	I-n = 20kA
Safety Listings	UL Listed 1449 4th Edition for Type 1 and Type 2 SPD applications, cUL, and UL 1283 / Meets Requirements for UL 96A / Compliant to IEEE C62.41.1-2002, C62.41.2-2002 and C62.45-2002 / NFPA 70 [NEC], Article 285 / CE, IEC 61643-11-2011 / FCC Part B Class B / EMC Directive 2004/108/EC / Low Voltage Directive 2006/95/EC
Protection Method	Thermally protected MOVs, Selenium, Capacitive Filter
Product Design	Individual thermally fused and protected MOVs, Selenium Cells, and All Copper, Tin-plated Bus
Dimensions	16"H x 16"W x 9.2"D
Weight	42 lbs.
Enclosure Type	NEMA 4/12 Standard (NEMA 4X Option)
Installation Location	Outdoor or Indoor
Operating Environment	-25°C to +60°C 5% – 95% Non-Condensing Humidity
Fault Current (SCCR)	200kAIC
Connection Method	Parallel
Protection Modes	All Modes (L-N, L-G, N-G, L-L)
Response Time	< 0.5 Nanoseconds
Operating Frequency	47 – 63 Hz
Warranty	20 Years

**Filtering Attenuation Frequencies (Per Mil-Std-220B January 2000)\*\***

10 KHz	100 KHz	1 MHz	10 MHz	Max at 142 KHz
18.1 dB	44 dB	22.8 dB	15.3 dB	54.6 dB

**Single/Repetitive Surge Current Capacities (Tested)\*\***

Protection Mode	Single Pulse Surge Current Capacity/Mode	Repetitive Surge Current Capacity/Mode
Line-to-Neutral	50,000A	10,000 Impulses
Line-to-Ground	50,000A	10,000 Impulses
Neutral-to-Ground	50,000A	10,000 Impulses
Line-to-Line	100,000A	20,000 Impulses
Per Phase	100,000A	20,000 Impulses

**Maximum Continuous Operating Voltage (MCOV)**

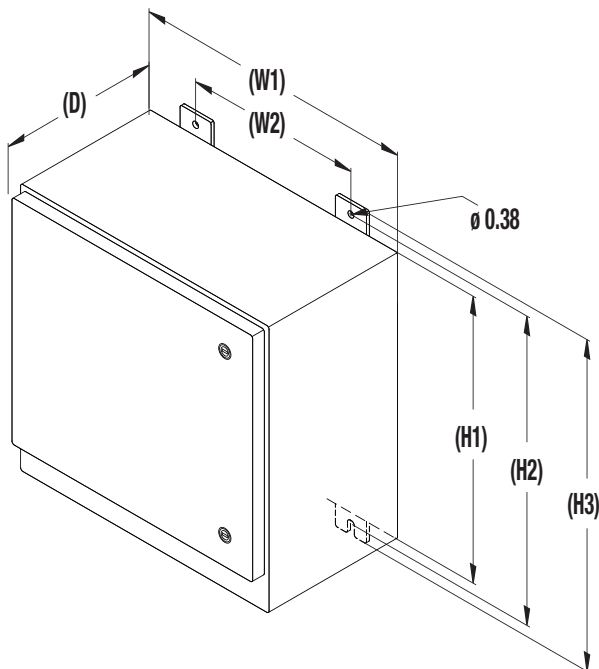
Voltage	L-N MCOV	Voltage	L-L MCOV
120V	150V	240V	300V
277V	320V	480V	552V
347V	420V	600V	690V

\*\* Data based on actual tests. Contact factory for test reports



### DIMENSIONAL SPECIFICATIONS

SL3™/050	Inches	(mm)
H1	16.00	(406.4)
H2	17.25	(438.2)
H3	18.50	(469.9)
W1	16.00	(406.4)
W2	10.00	(234.0)
D	9.20	(233.7)



### VOLTAGE/CONFIGURATION OPTIONS

Not all voltage configurations are displayed, contact Thomas & Betts Power Solutions for additional configurations.

Voltage	Configuration					
	1G	2G	3Y	3R	3H	3D
120	X					
208	X		X	X		X
220	X	X		X		X
230	X					X
240	X	X			X	X
380		X	X	X		X
415		X	X	X		X
480		X	X	X		X

### SL3™/50 PERFORMANCE DATA

System Voltage	120/240V or 120/208V				277/480V				347/600V				240V Delta		480V Delta		600V Delta	
	L-N	L-G	N-G	L-L	L-N	L-G	N-G	L-L	L-N	L-G	N-G	L-L	L-G	L-L	L-G	L-L	L-G	L-L
<b>Protection Mode</b>	L-N	L-G	N-G	L-L	L-N	L-G	N-G	L-L	L-N	L-G	N-G	L-L	L-G	L-L	L-G	L-L	L-G	L-L
<b>MCOV</b>	150	150	150	300	320	320	320	552	420	420	420	690	320	300	552	552	690	690
<b>B3 Ring Wave 6kV, 500A</b>	580	700	740	590	560	620	730	660	570	650	730	680	620	590	1530	660	-	-
<b>B3/C1 Combo Wave 6kV, 3kA</b>	596	675	682	964	1020	1066	969	1824	1197	1260	1186	2354	1066	964	1604	1824	1260	2354
<b>C3 Combo Wave 20kV, 10kA</b>	1640	1460	1520	1960	1890	1890	2020	3020	2080	2200	2140	3390	1890	1960	2460	3020	-	-
<b>UL 1449 4th Edition VPR 6kV, 3kA</b>	700	700	700	1000	1200	1200	1000	2000	1200	1500	1200	2500	1200	1500	1800	2000	3000	2500

All SL3™ systems voltage protection ratings (VPR) are peak values (±10%) measured from the 90° reference point and are in compliance with test and evaluation procedures outlined in ANSI/IEEE C62.41





# Energía Verde RMS

Ahorra y contribuye con tu ambiente <sup>®</sup>

General Miguel Barragán #814  
Aguascalientes, Ags.  
01 (449) 145 2028  
[energiaverderms.com.mx](http://energiaverderms.com.mx)